



Technical Specification

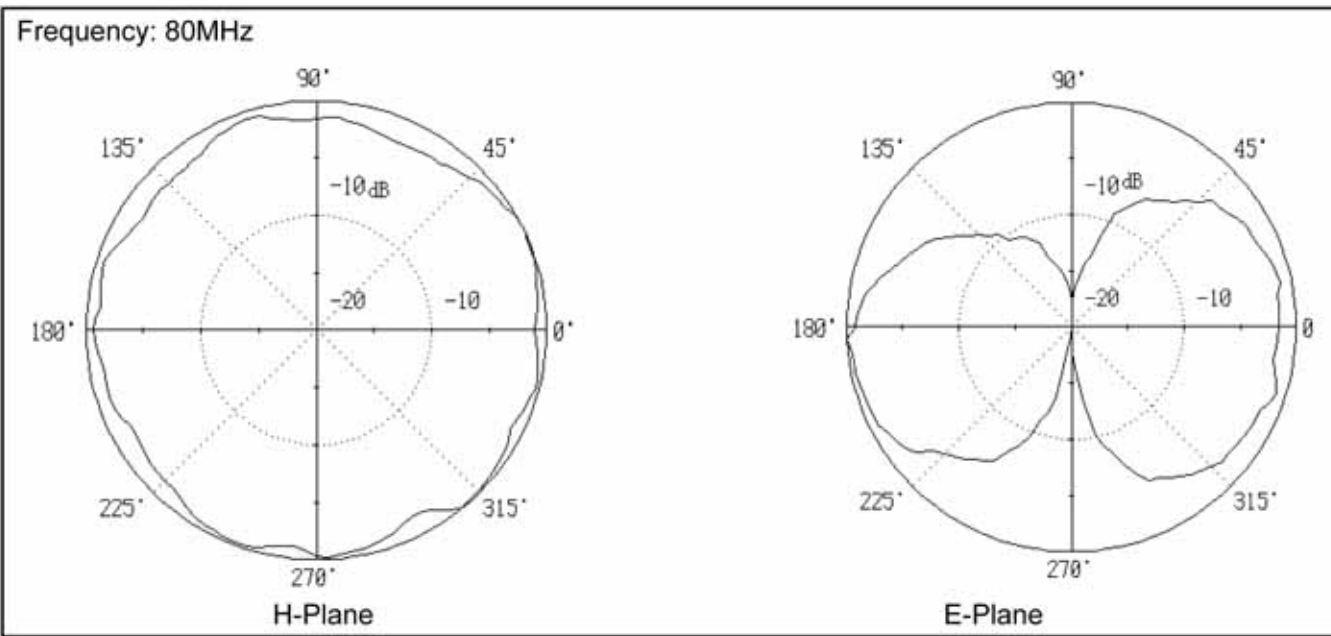
Frequency Range	VSWR(Typ.)	Power CW	Connector	Net Weight	Size
80-500MHz	2.5:1	300W	N-Female	10Kg max	Φ1180 x 920mm

Test Result

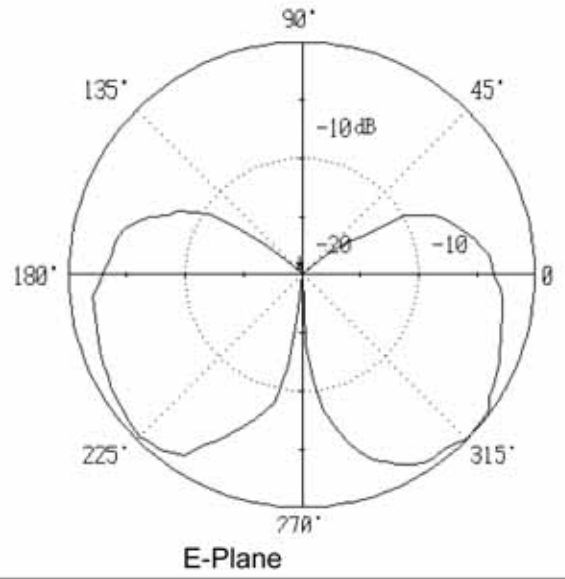
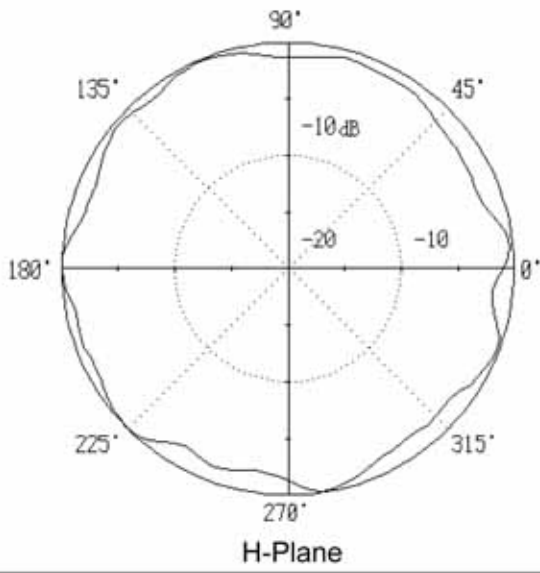
1. Gain

Frequency (MHz)	80	240	500
Gain (dBi)	0.8	1.5	1.8

2. Pattern



Frequency: 240MHz



Frequency: 500MHz

