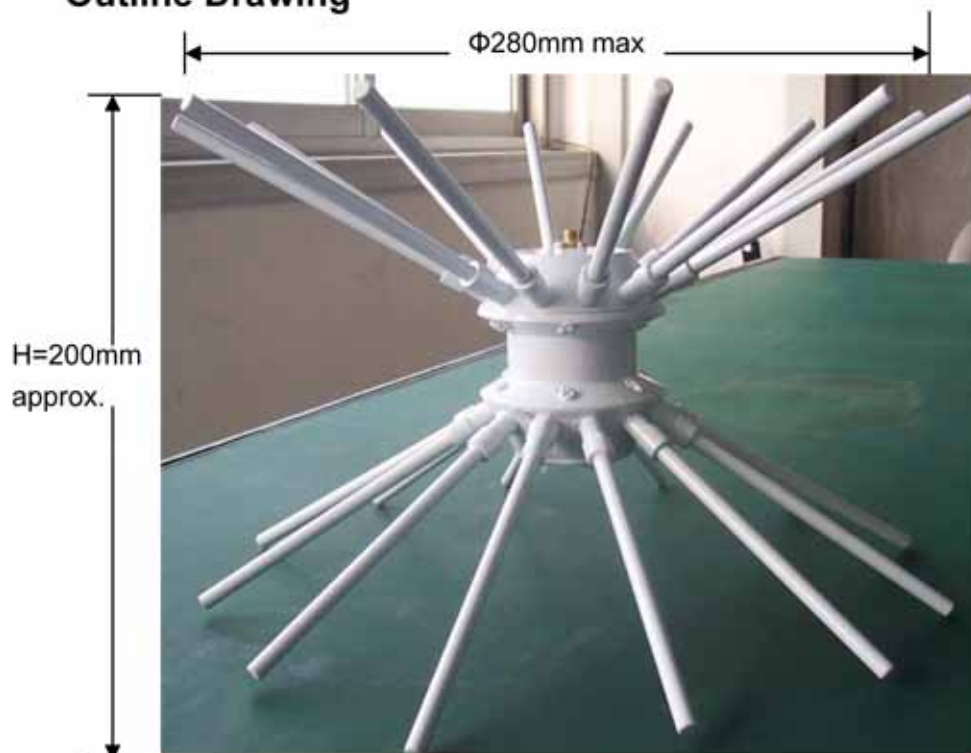




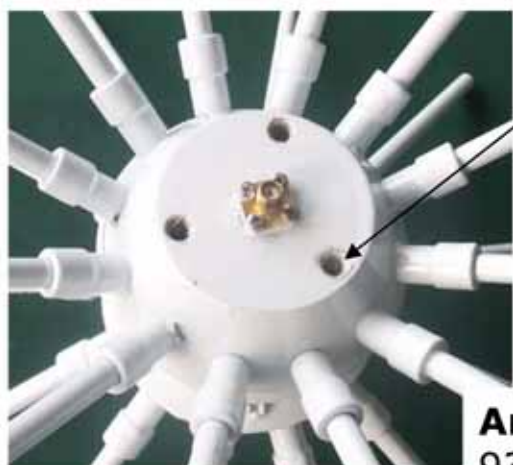
Technical Specification

Polarization	Vertical
Frequency Range	0.5-3.0GHz
Gain	0dB Typ.
Pattern	Azimuth: Omni Directional Elevation: 30° min
VSWR	2.0:1 Typ.
Power	100W CW
Connector	SMA-Female/N-Female
Size(mm)(ΦxH)	280x200 approx.

Outline Drawing



Mounting Drawing



3-M6 deep 16
Evenly distributed in the Φ44mm round

Antenna Factory, Inc.

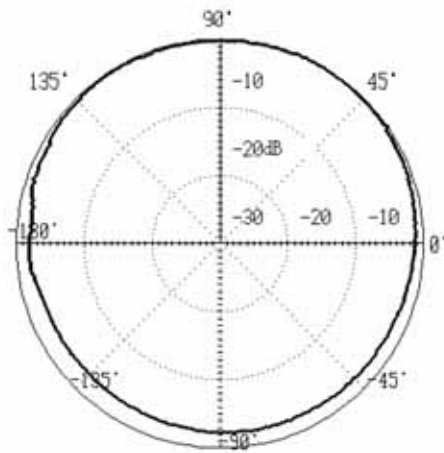
931 Albion Ave
Schaumburg, Il 60193

Toll Free: (877) 288-9112
Phone: (312) 242-1727
Fax: (847) 584-9952

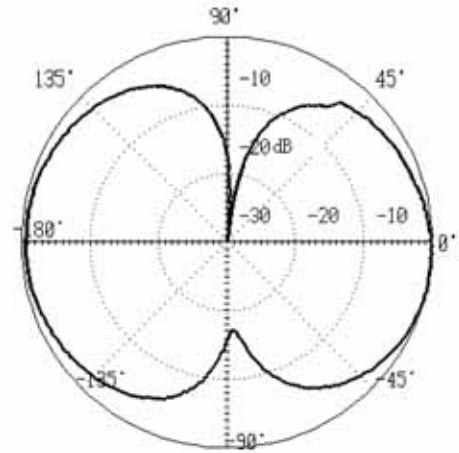
Test Result

1. Pattern

Frequency: 500MHz

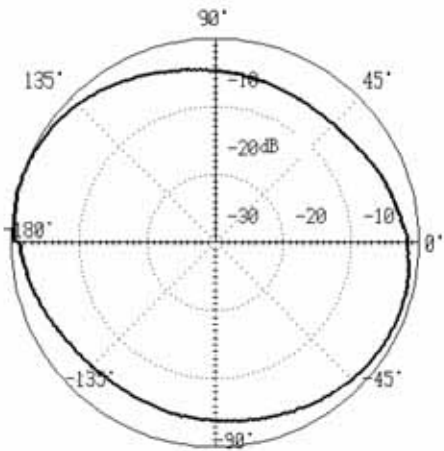


H-Plane

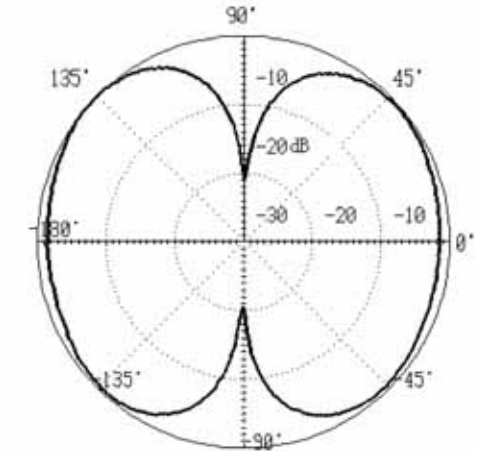


E-Plane

Frequency: 1000MHz

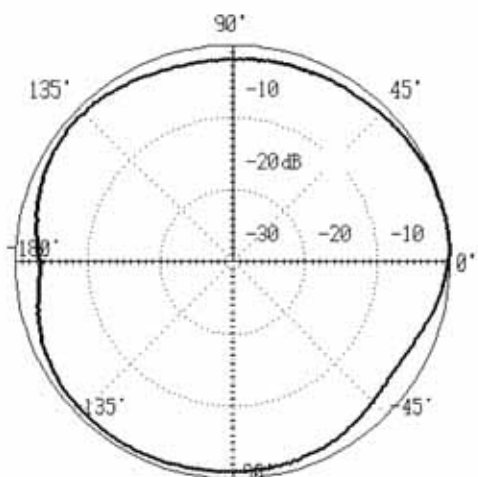


H-Plane

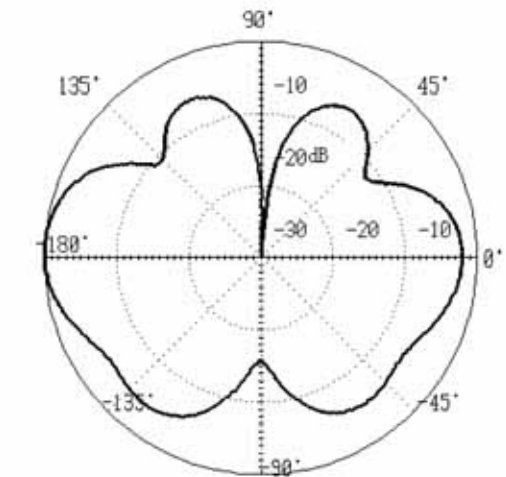


E-Plane

Frequency: 1500MHz



H-Plane



E-Plane