



Antenna Factory, Inc.

www.antennafactory.com

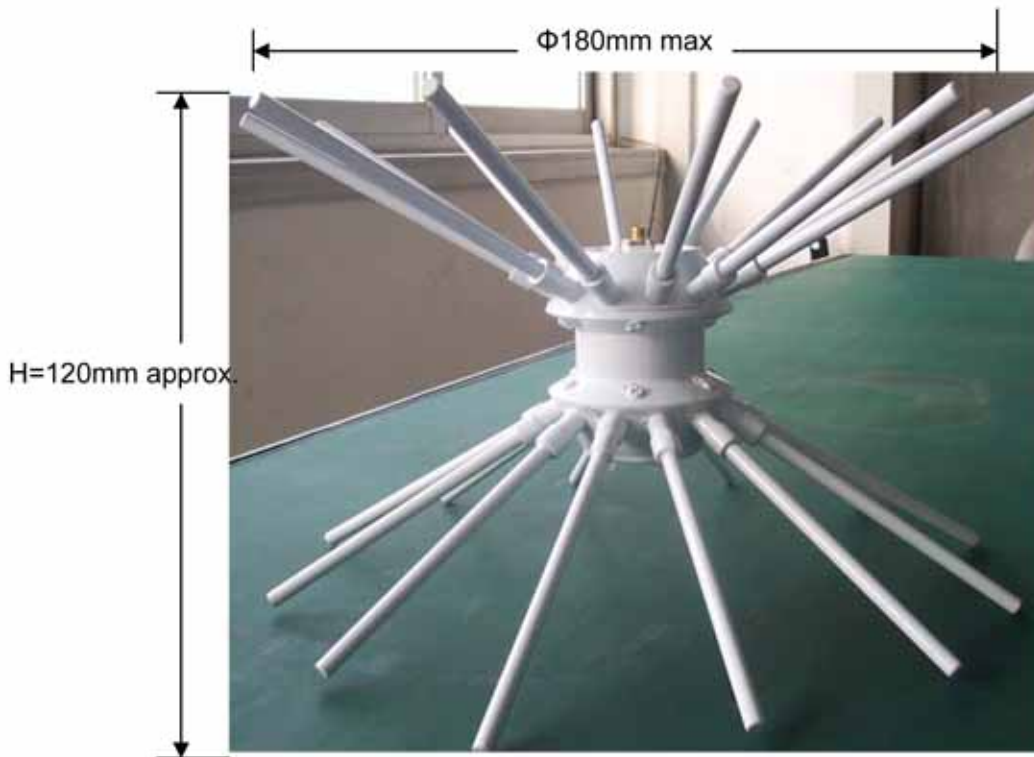
Toll Free: 877-288-9112

1.0~3.0GHz Dual Discone-type Antenna

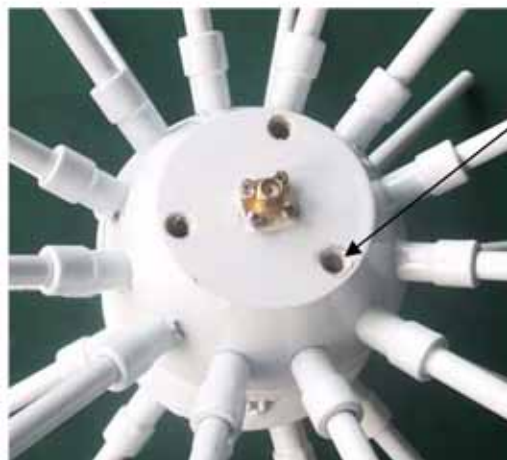
Technical Specification

Polarization	Vertical
Frequency Range	1.0-3.0GHz
Gain	0dB Typ.
Pattern	Azimuth: Omni Directional
	Elevation: 30° min
VSWR	2.0:1 Typ.
Power	100W CW
Connector	SMA-Female/N-Female
Size(mm)(ΦxH)	180x120 approx.

Outline Drawing



Mounting Drawing



3-M6 deep 16

Evenly distributed in the Φ44mm round

Antenna Factory, Inc.

931 Albion Ave

Schaumburg, Il 60193

Toll Free: (877) 288-9112

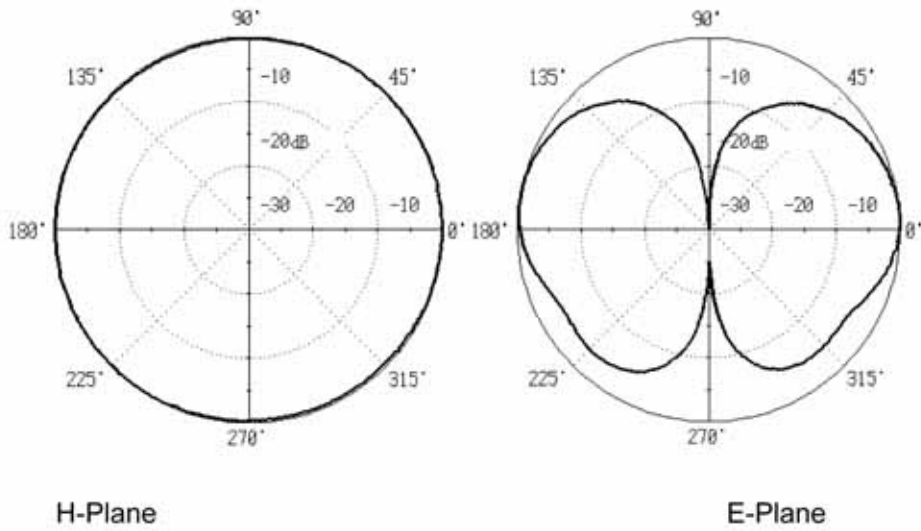
Phone: (312) 242-1727

Fax: (847) 584-9952

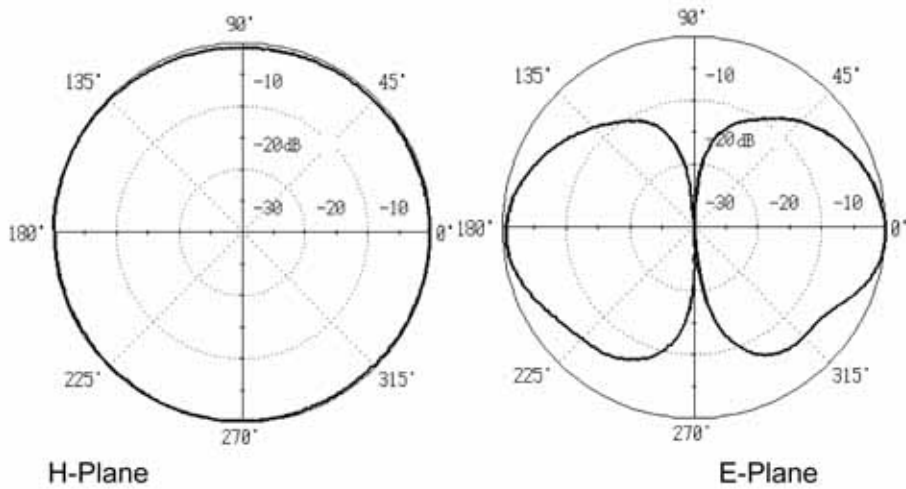
Test Result

1. Pattern

Frequency: 1000MHz



Frequency: 1200MHz



Frequency: 1500MHz

