



Antenna Factory, Inc.

www.antennafactory.com

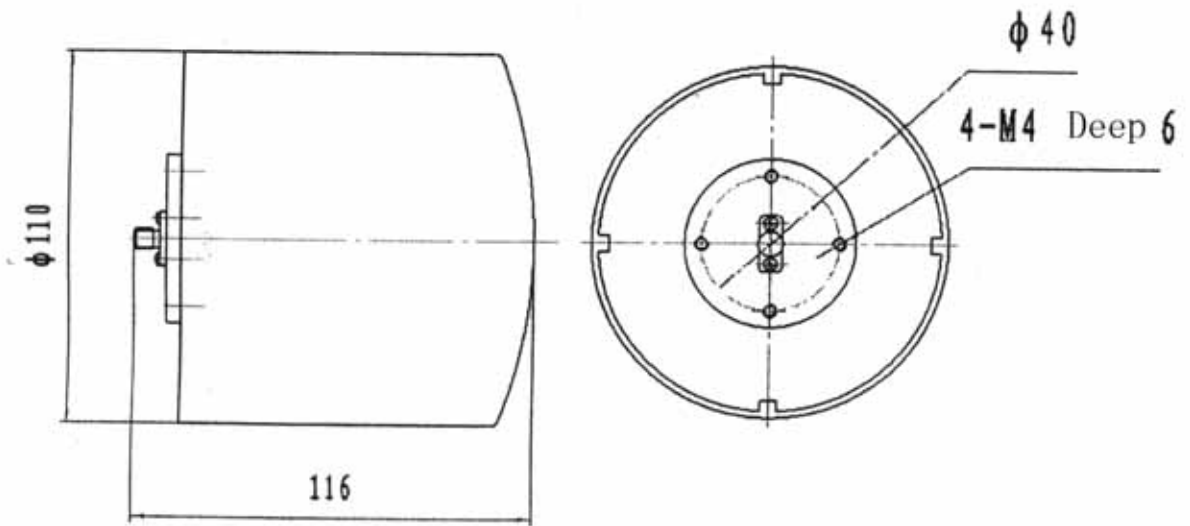
Toll Free: 877-288-9112

1~12GHz Discone-type Antenna

Technical Specification

Frequency Range	VSWR Typ.	Power CW	Connector	Size (Φ x H)
1-12GHz	2.5:1	80W	SMA -Female	110x116mm

Outline Drawing



Antenna Factory, Inc.

931 Albion Ave

Schaumburg, IL 60193

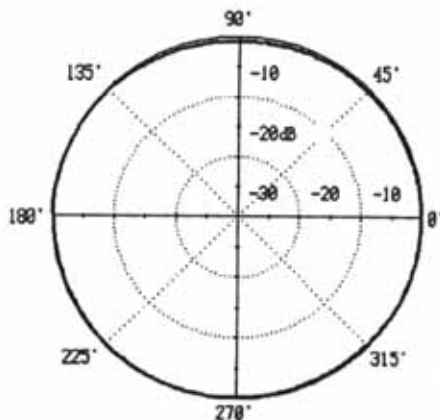
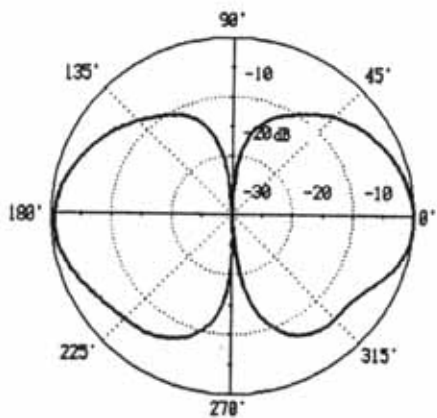
Toll Free: (877) 288-9112

Phone: (312) 242-1727

Fax: (847) 584-9952

Test Results

1. Pattern



2. VSWR

